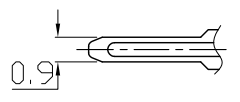
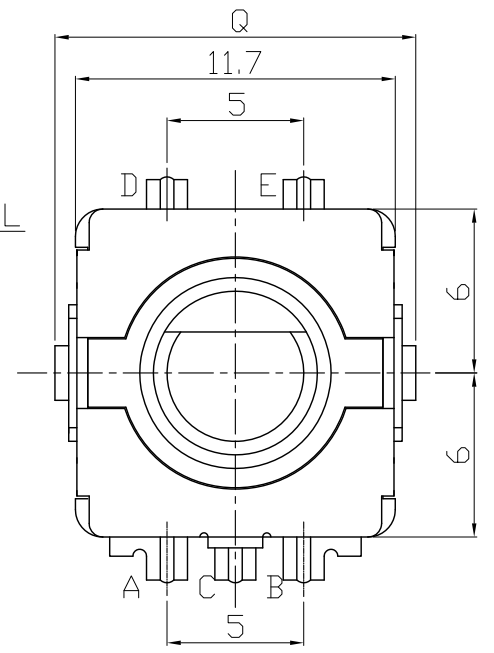
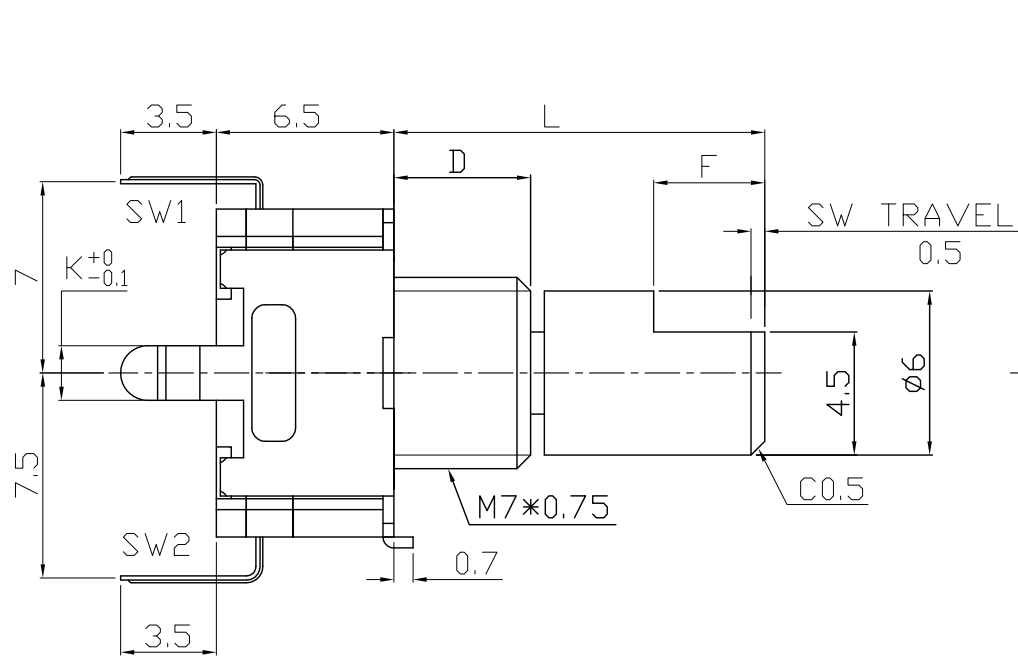


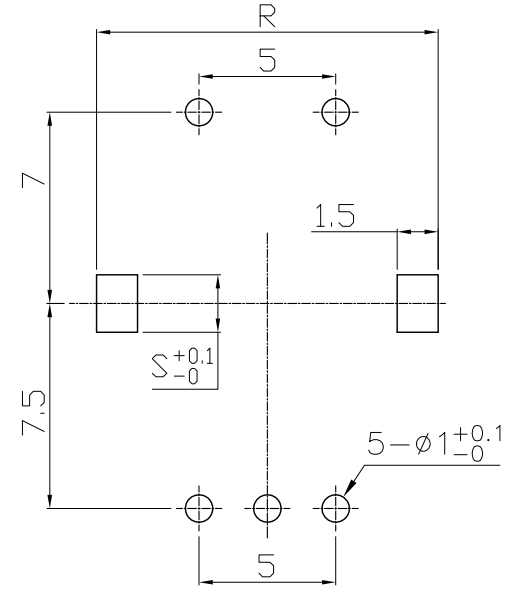
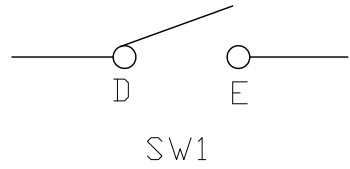
MODEL RE1101 **X** **W** 1-H01

BASIC DIMENSIONS	L ≤ 10	10 < L	100 ≤ L	ANGLE	UNIT
TOL.	±0.3	±0.5	±0.8	±5°	mm



X	B	C
D	5	7

W	A	E	F	H
K	2	2.5	2	2
Q	13.2	11.7	11.7	14
R	12.5	11.1	11.1	13.4
S	2.1	2.6	2.1	2.1



轴型规格

	D=5								
	L	10	10.5	11	12.5	13	13	15	18
F	3.5	4	4	5.5	5	7	7	7	7

	D=5						D=7									
	L	10	10.5	11	13	15	15	15	15	18	16.5	17	17.5	18	20	20
F	3.5	4	5	6	7	8	5	7	9	7	9	12	10	10	12	12

	D=5						D=7								
	L	10	11.3	11.5	12	15	18	15	15	18	20	20	24	25	25
F	3.5	5	5	5	7	11	3.5	6	9	10	11	13	12	16	12

	D=5							D=7
	L	10.5	11.5	12	12	13	16	15
F	4	5	3.5	5	7	9	6	

P.C.B.MOUNTING DETAIL