

# UTC TDA2822M LINEAR INTEGRATED CIRCUIT

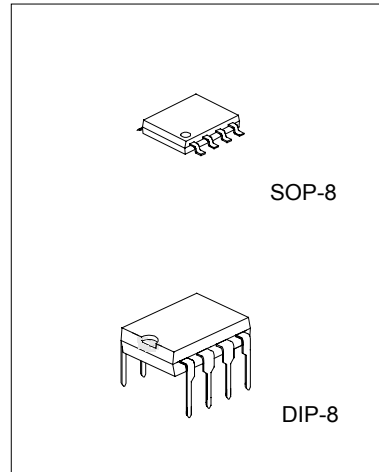
## DUAL LOW VOLTAGE POWER AMPLIFIER

### DESCRIPTION

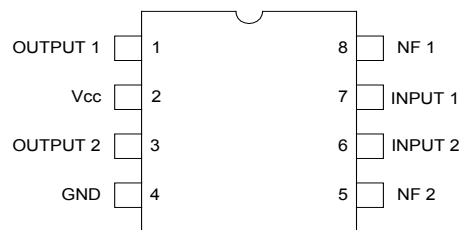
The UTC TDA2822M is a monolithic integrated audio amplifier in a 8-Pin plastic dual in line package. It is designed for portable cassette players and radios.

### FEATURES

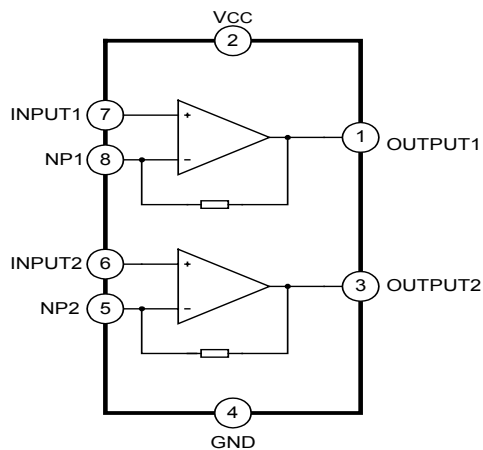
- \*Wide operating supply voltage:  $V_{cc}=1.8V-12V$ .
- \*Low crossover distortion.
- \*Low quiescent circuit current.
- \*Bridge/stereo configuration.



### PIN CONFIGURATIONS



### BLOCK DIAGRAM



# UTC TDA2822M LINEAR INTEGRATED CIRCUIT

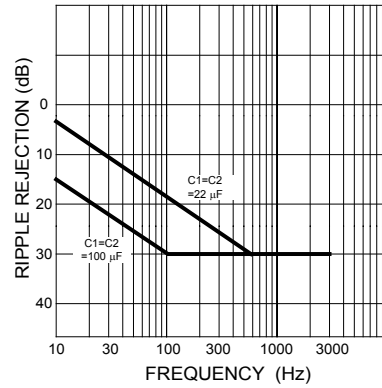
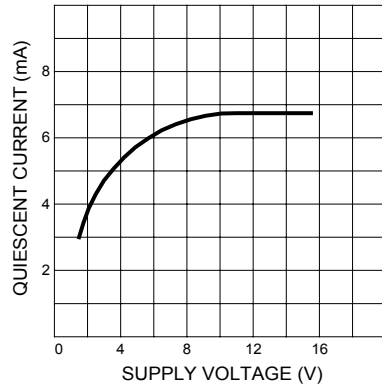
---

## ABSOLUTE MAXIMUM RATINGS (Ta=25°C)

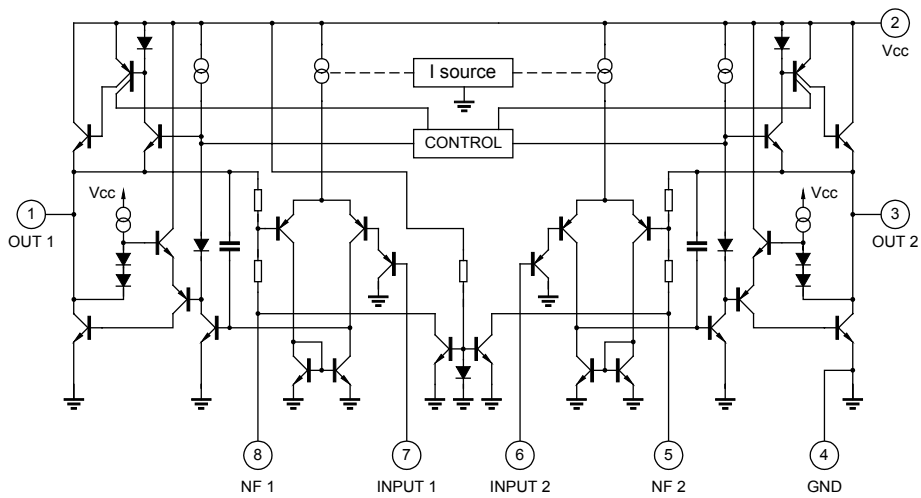
PARAMETER	SYMBOL	VALUE	UNIT
Supply Voltage	Vcc	15	V
Output Peak Current	Io(peak)	1	A
Power Dissipation	Pd	DIP at Tamb=50°C 1.0	

# UTC TDA2822M LINEAR INTEGRATED CIRCUIT

## TYPICAL PERFORMANCE CHARACTERISTICS



## SCHEMATIC DIAGRAM



# UTC TDA2822M LINEAR INTEGRATED CIRCUIT

UTC assumes no responsibility for equipment failures that result from using products at values that exceed, even momentarily, rated values (such as maximum ratings, operating condition ranges, or other parameters) listed in products specifications of any and all UTC products described or contained herein. UTC products are not designed for use in life support appliances, devices or systems where malfunction of these products can be reasonably expected to result in personal injury. Reproduction in whole or in part is prohibited without the prior written consent of the copyright owner. The information presented in this document does not form part of any quotation or contract, is believed to be accurate and reliable and may be changed without notice.