

# Bluetooth

## Wireless TTL Transceiver Module



Model#: RF-0417C

[www.MDFLY.com](http://www.MDFLY.com)

### Specifications

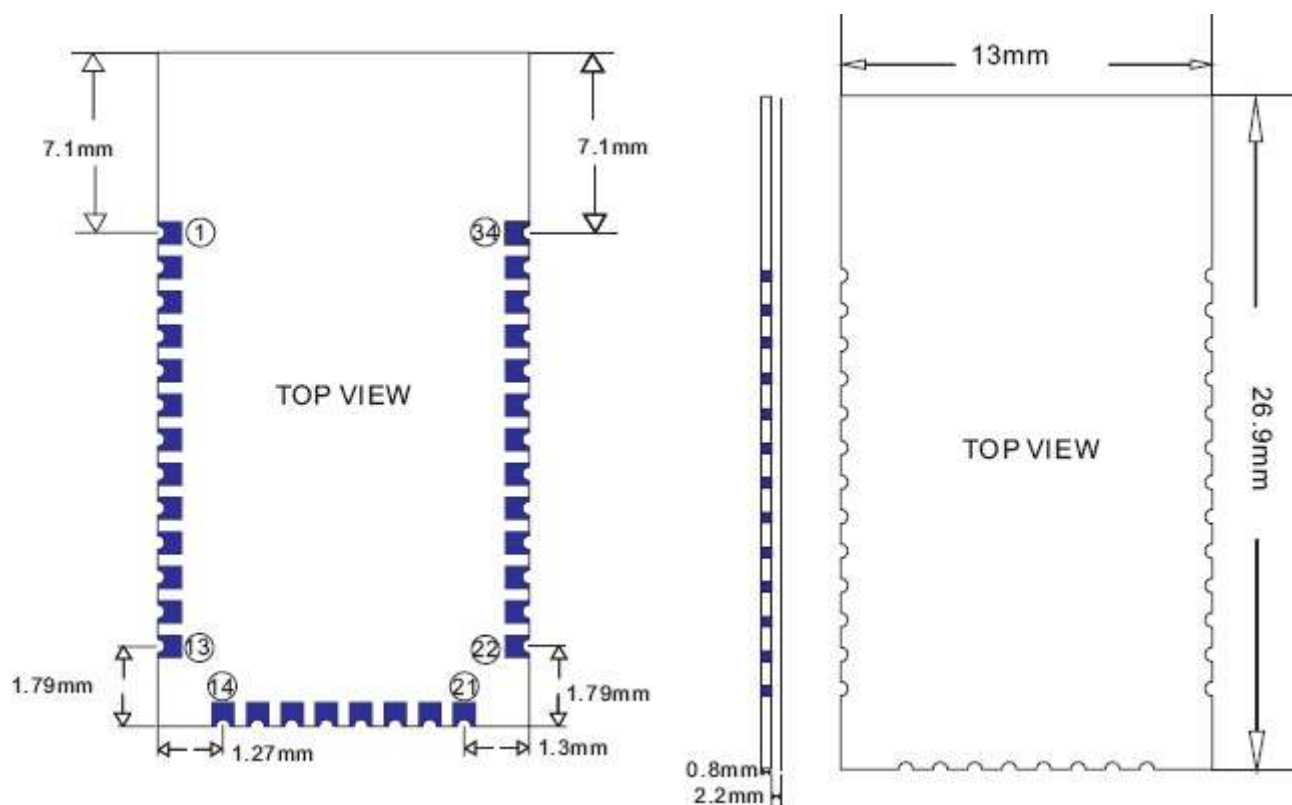
Operating Frequency Band	2.4GHz -2.48GHz unlicensed ISM band
Bluetooth Specification	V2.0+EDR
Output Power Class	Class 2
Operating Voltage	3.3V
Host Interface	USB 1.1/2.0 or UART
Audio Interface	PCM and Analog interface
Flash Memory Size	8Mbit
Dimension	26.9mm (L) x 13 (W) mm x 2.2mm (H)

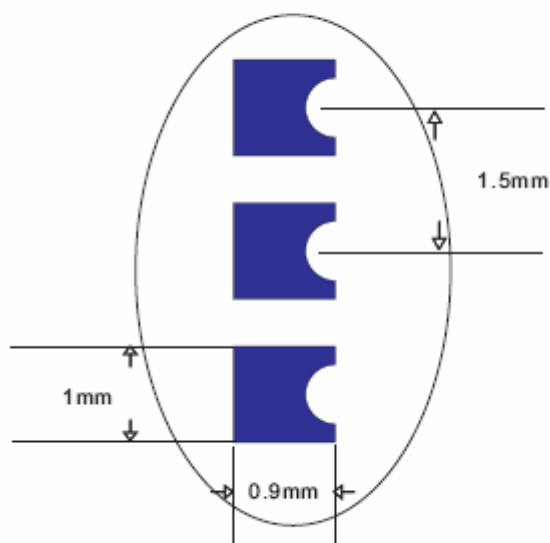
\* Specifications are subject to change without prior notice

## Power Consumption

Operation Mode	Connection Type	UART Rate (kbps)	Average	Unit
Page scan	-	115.2	0.42	mA
ACL No traffic	Master	115.2	4.60	mA
ACL With file transfer	Master	115.2	10.3	mA
ACL 1.28s sniff	Master	38.4	0.37	mA
ACL 1.28s sniff	Slave	38.4	0.42	mA
SCO HV3 30ms sniff	Master	38.4	19.8	mA
SCO HV3 30ms sniff	Slave	38.4	19.0	mA
Standby Host connection <sup>(a)</sup>	-	38.4	40	$\mu$ A

\* Low power mode on the linear regulator is entered and exited automatically when the chip enters/leaves Deep Sleep mode. For more information about the electrical characteristics of the linear regulator, see section 4 in this document.





NO	PIN NAME	NO	PIN NAME
1	UART-TX	18	SPI-MISO
2	UART-RX	19	SPI-CLK
3	UART-CTS	20	USB D+
4	UART-RTS	21	GND
5	PCM-CLK	22	GND
6	PCM-OUT	23	PIO(0)
7	PCM-IN	24	PIO(1)
8	PCM-SYNC	25	PIO (2)
9	AIO(0)	26	PIO(3)
10	AIO(1)	27	PIO(4)
11	RESET	28	PIO(5)
12	3.3V	29	PIO(6)
13	GND	30	PIO(7)
14	GND	31	PIO(8)
15	USB D-	32	PIO(9)
16	SPI-CSB	33	PIO(10)
17	SPI-MOSI	34	PIO(11)

Hookup diagram:

